

ASHTRAY AC211



89 x 45 x 120 mm

- Ashtray in solid, germ-reducing and easy-care stainless steel (AISI 303), satin finished.
Further available surfaces: see below.
- Concealed anti-theft two-point rosette wall mounting.
- Holder diameter 16 mm
Dish diameter 89 mm
Height 18 mm
- Mounting with two screws.
- Delivery includes fixing material.
- Weight, including single package: 0.6 kg

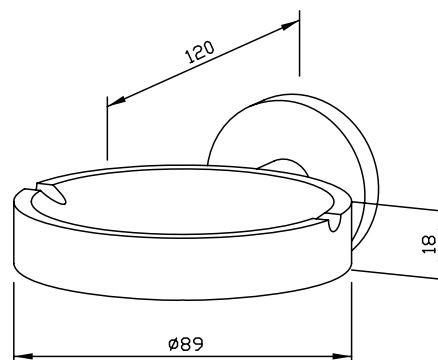


Suggested text for specifications:

Ashtray in solid stainless steel (AISI 303), satin finished, for surface mounting. Concealed anti-theft two-point rosette wall mounting. Delivery includes fixing material.

Dimensions: 89 x 45 x 120 mm

Article No. AC211



Available surfaces	ID No.
satin finished (standard)	700 211
highly polished	731 211

Ernst Wagner GmbH & Co. KG

Ernst-Abbe-Straße 21 · D-72770 Reutlingen · Tel.: +49712151539-0 · Fax: -20
info@wagner-ewar.de · www.wagner-ewar.de

WAGNER
EWAR